

1 2 3 4 5 6 7 8

A

B

C

D

E

F

A

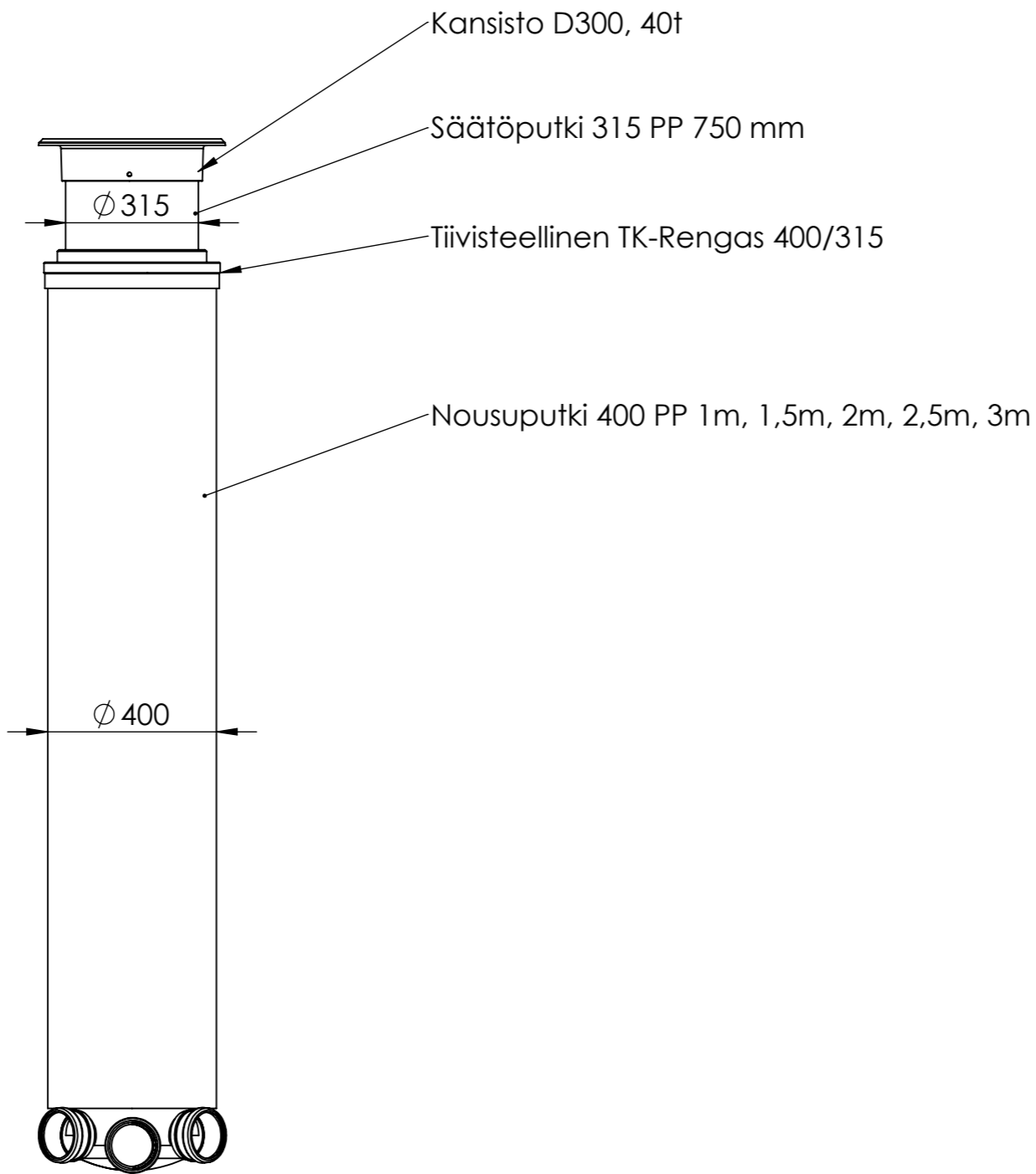
B

C

D

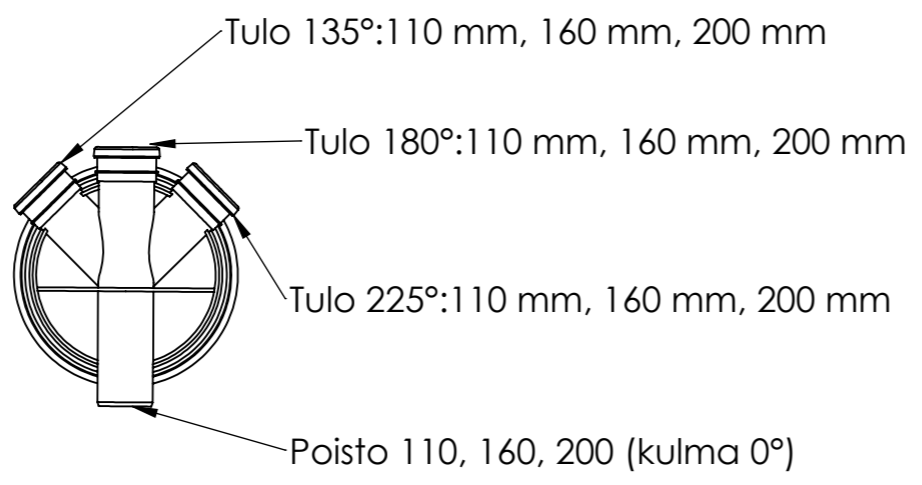
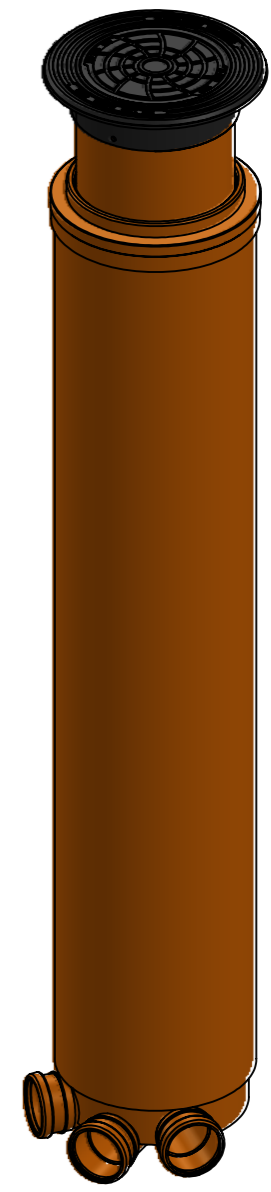
E

F



**Rungonpituus:**

- 1,5 m
- 2,0 m
- 2,5 m
- 3,0 m



Material: <b>PP</b>	Name: <b>VTK 400/315</b>	Drawn by: <b>IMo</b>	Drawn Date: <b>27.12.2016</b>
		Checked/Approved by:	Checked/Approved Date:
Drawing Scale: <b>1:15</b>	Legal Owner: <b>PIPELIFE</b>	Finish:	
Weight:	Metric: mm 	Sheet: 1 of 1	Sheet Size: <b>A3</b>

1 2 3 4 5 6 7 8