

A

B

C

D

E

F

A

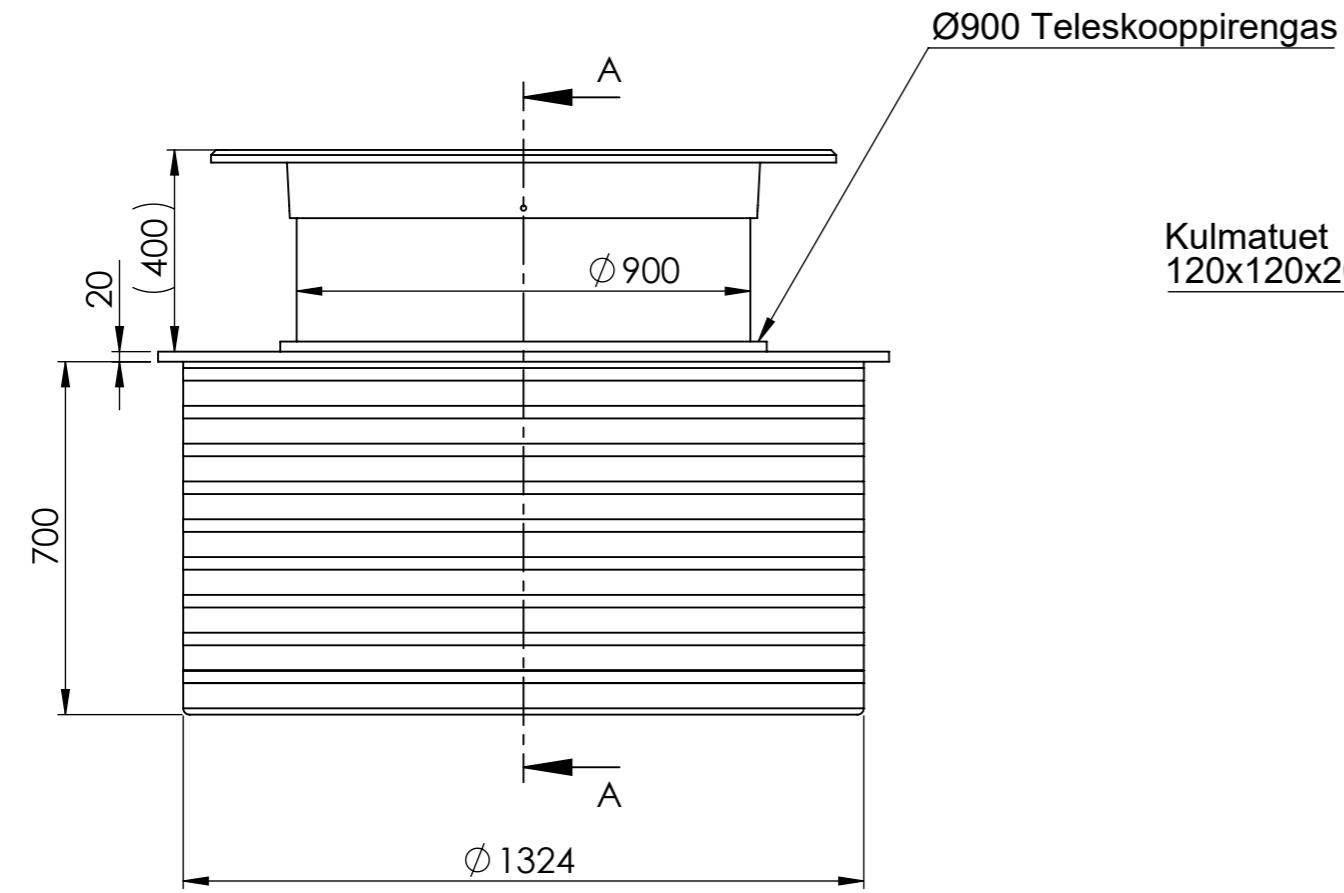
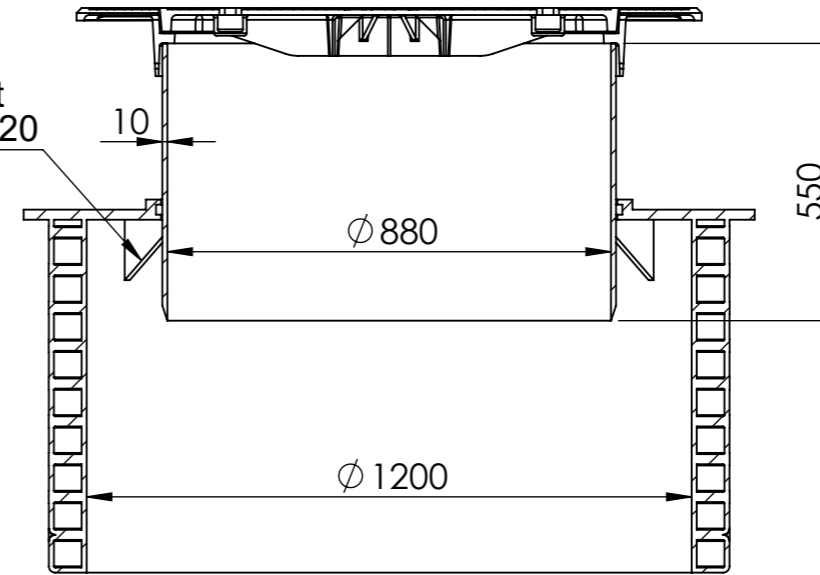
B

C

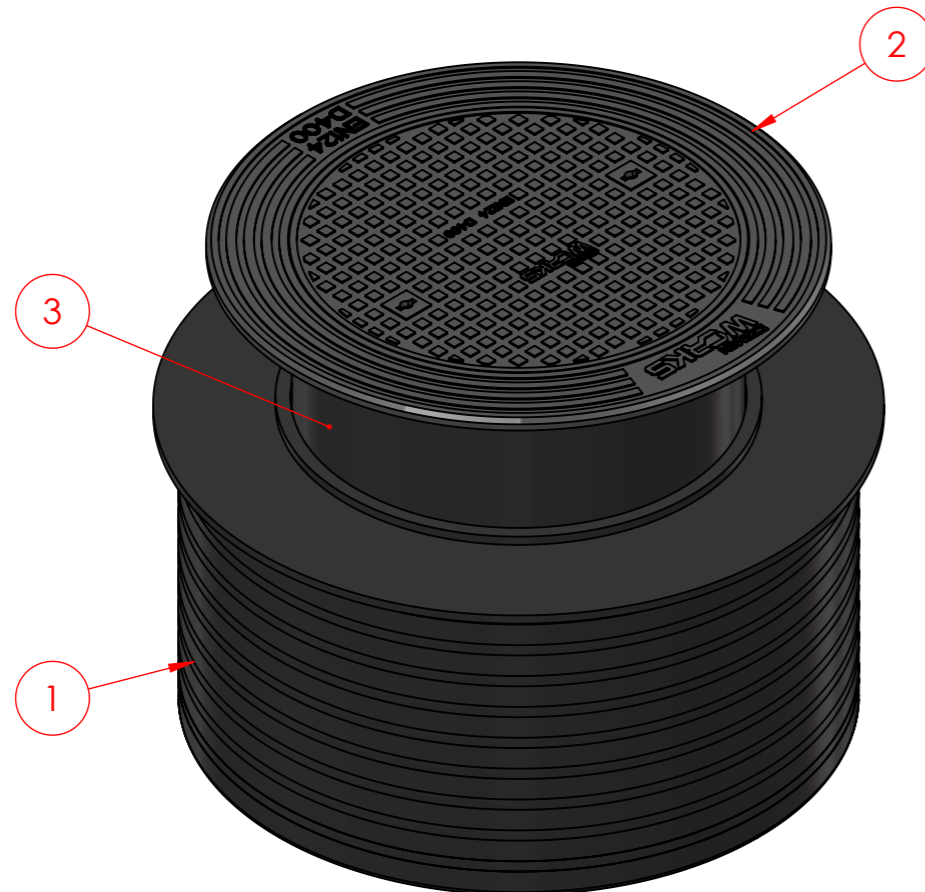
D

E

F

Kulmatuet
120x120x20

SECTION A-A



OSA nro.	NIMIKE	kpl
1	PE KIERRESAUMAPUTKI ID1200 SN4	1
2	Ø900 VALURAUTAKANSISTO	1
3	TELESKOOPPIPUTKI PE Ø900X550	1

Material:	Name:	Drawn by:	Drawn Date:
PE	ASENNUSKAIVO 1324/900	TMe	5.9.2017
Drawing Scale:	Legal Owner:	Checked/Approved by:	Checked/Approved Date:
1:15			
Weight:		Number:	
Kg		70025243	
	PIPELIFE	Metric: mm	Sheet: 1 of 1
			Sheet Size: A3