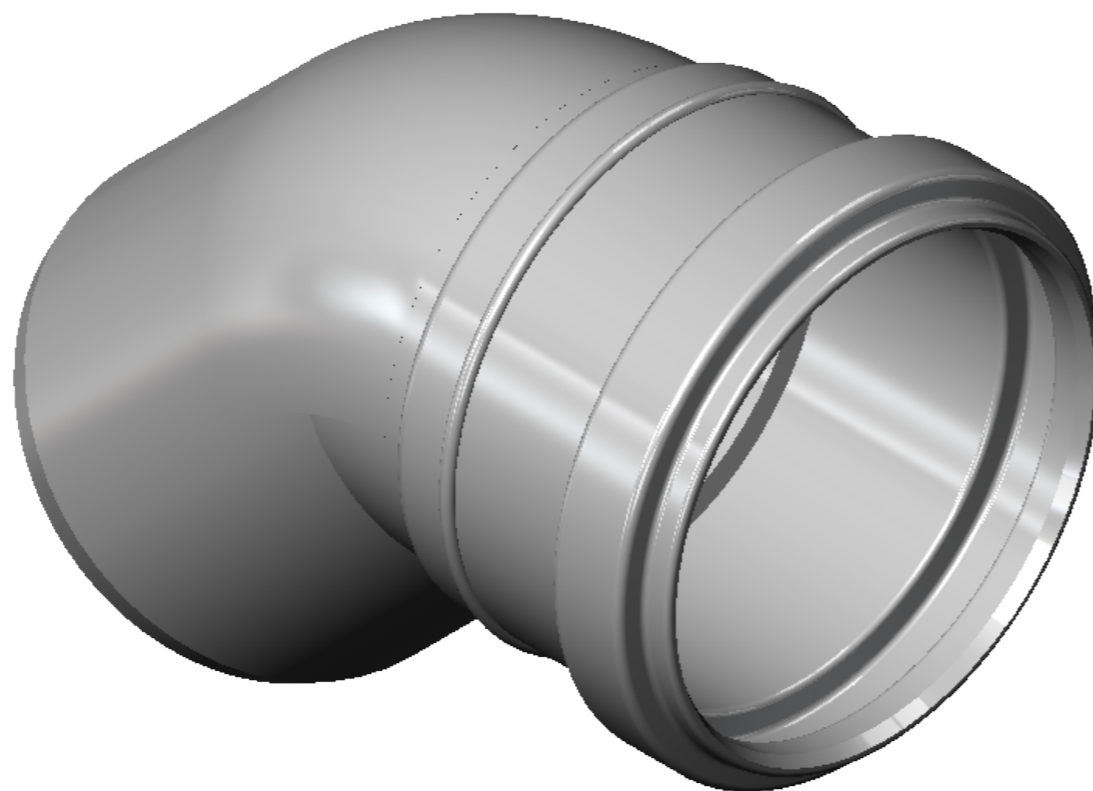



D = 90,5 mm
 D1 = 75,7 mm
 D2 = 75 mm
 L = 145 mm
 L1 = 50 mm
 L2 = 51,5 mm
 $\alpha = 45^\circ$



	NAME	DATE	PIPELIFE 
DRAWN	AR		
CHECKED			
ENG APPR.			
MFG APPR.			
Q.A.			
COMMENTS:			TITLE: 75-45 KULMAYHDE
	SIZE	PIPELIFE NO:	REV
	A	70000534	