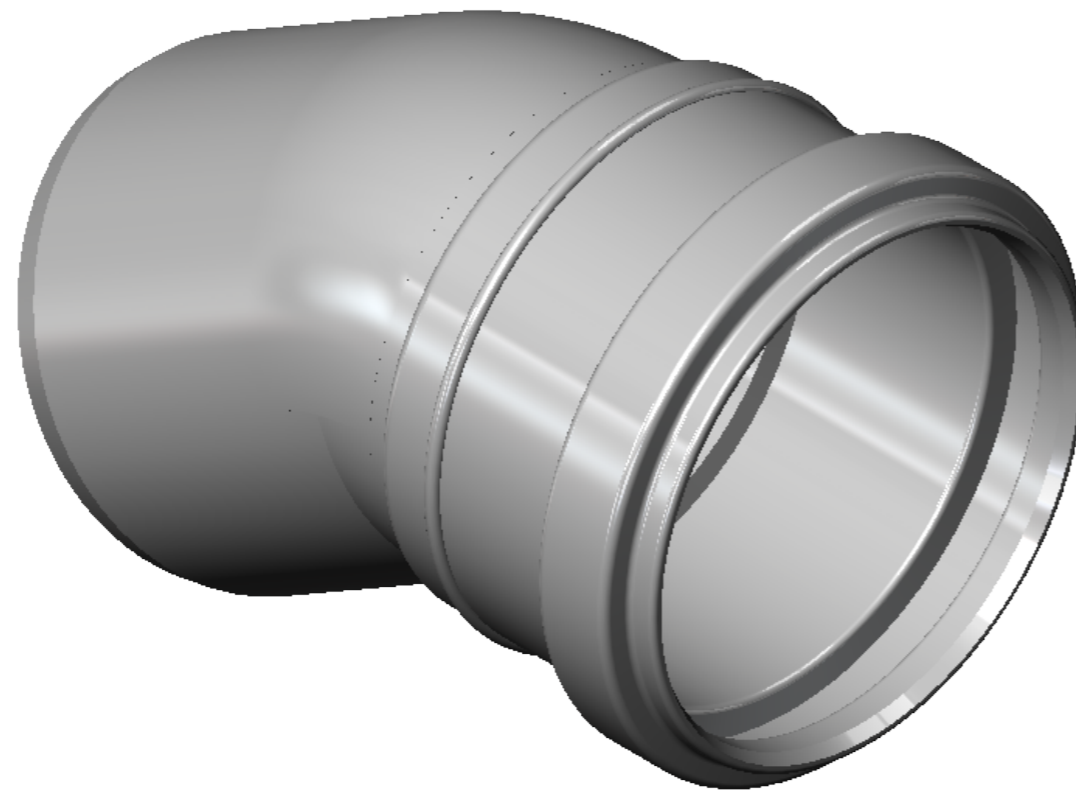



$D = 98,5 \text{ mm}$
 $D1 = 75,7 \text{ mm}$
 $D2 = 75 \text{ mm}$
 $L = 137 \text{ mm}$
 $L1 = 50 \text{ mm}$
 $L2 = 51,5 \text{ mm}$
 $\alpha = 30^\circ$



	NAME	DATE	PIPELIFE  TITLE: 75-30 KULMAYHDE SIZE PIPELIFE NO: REV A 70000533
DRAWN	AR		
CHECKED			
ENG APPR.			
MFG APPR.			
Q.A.			
COMMENTS:			
			SHEET 1 OF 1