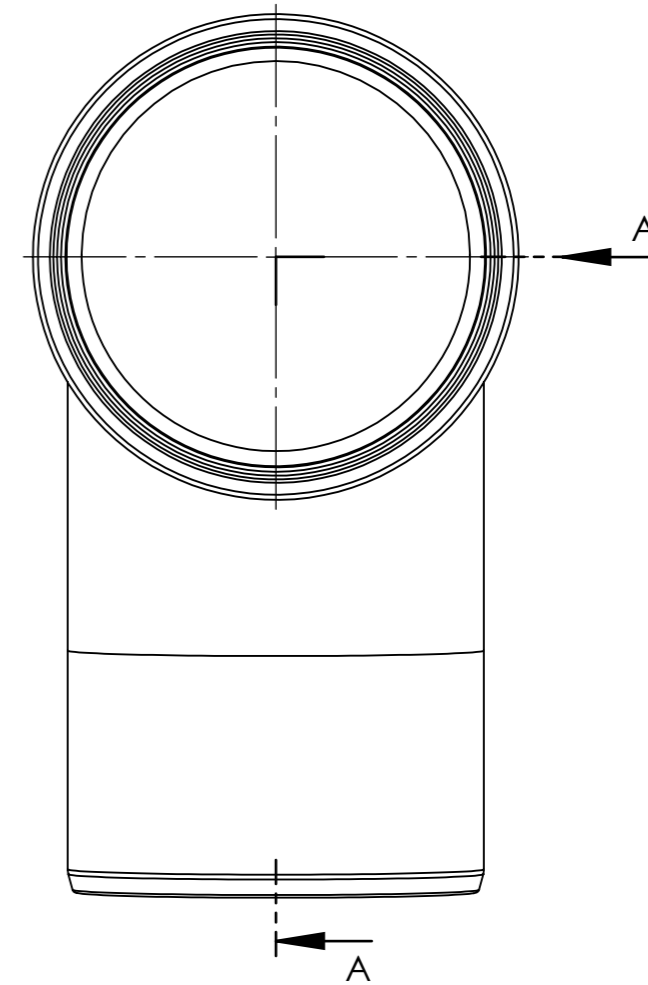



SECTION A-A
SCALE 1 : 2



	NAME	DATE	PIPELIFE 
DRAWN	AR		
CHECKED			
ENG APPR.			
MFG APPR.			
Q.A.			TITLE: 110-88,5 KULMAYHDE PYÖRISTETTY
COMMENTS:			SIZE PIPELIFE NO: REV A 70000539
			SHEET 1 OF 1