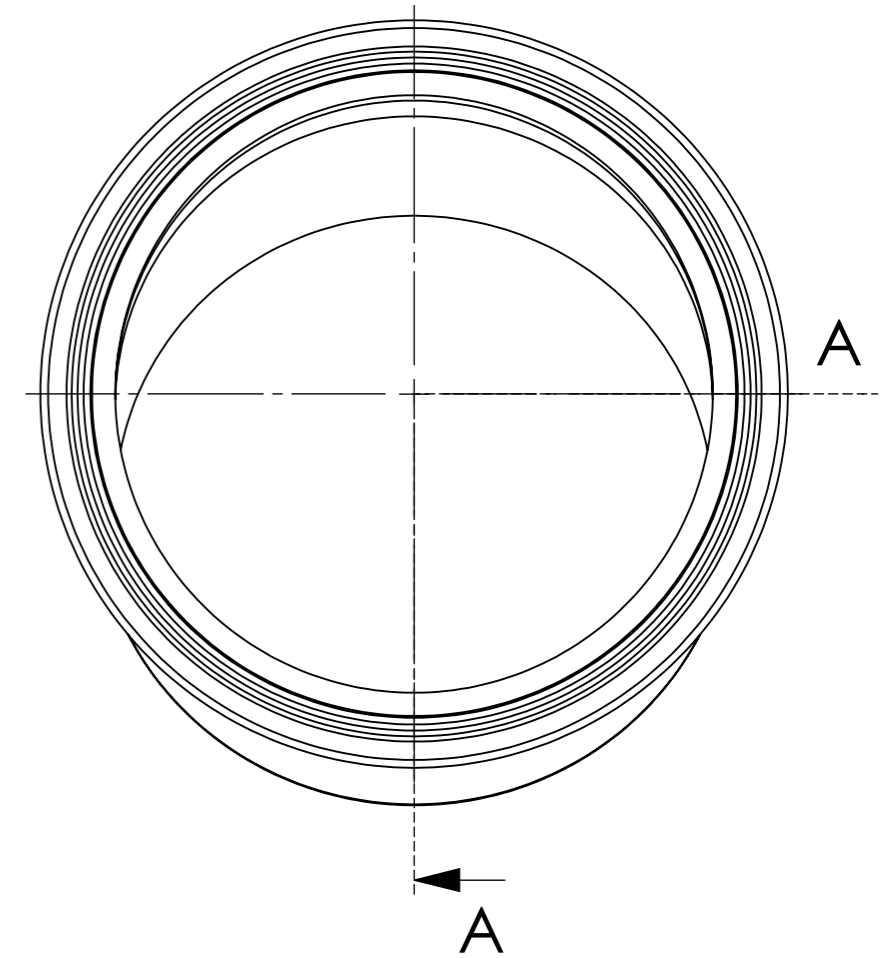
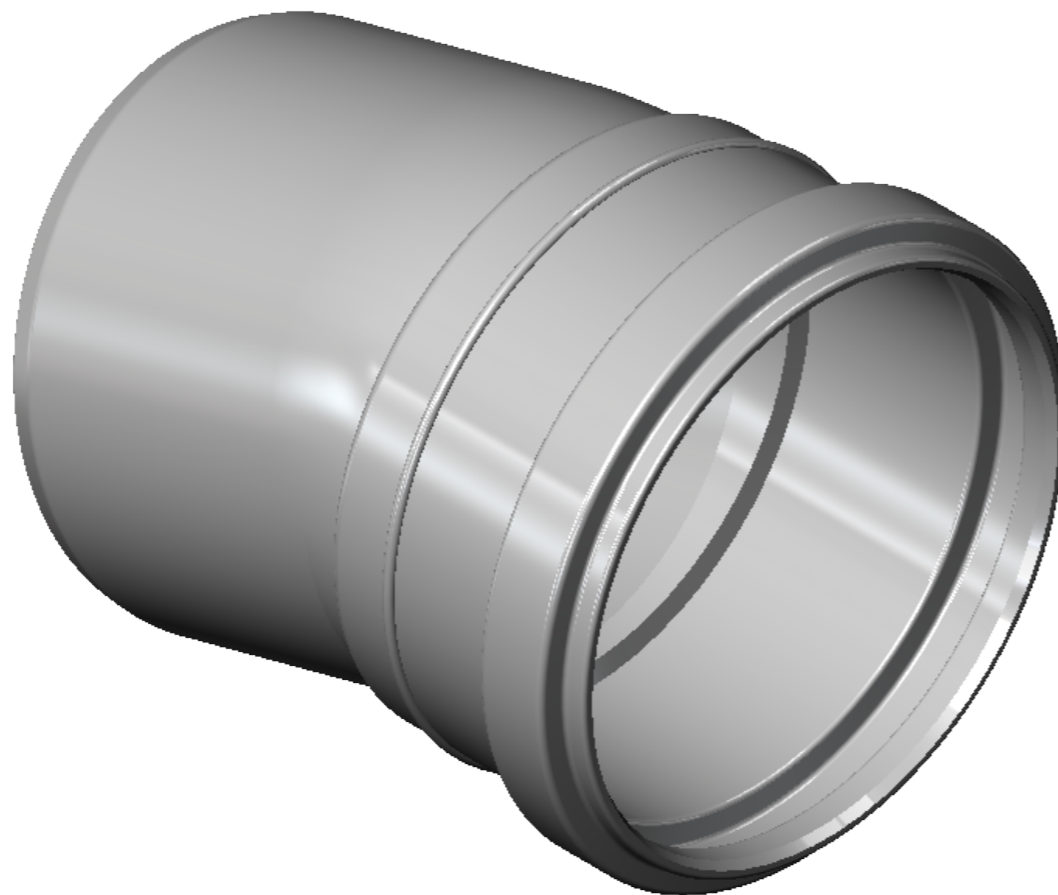



SECTION A-A



D = 110 mm  
 D1 = 110,8 mm  
 D2 = 128,5 mm  
 L = 156 mm  
 L1 = 60 mm  
 L2 = 66 mm  
 $\alpha = 15^\circ$



	NAME	DATE	<b>PIPELIFE</b>  <b>TITLE:</b> <b>110-15</b> <b>KULMAYHDE</b> <b>SIZE</b> PIPELIFE NO: <b>REV</b> <b>A</b> 70000531
DRAWN	AR		
CHECKED			
ENG APPR.			
MFG APPR.			
Q.A.			
COMMENTS:			