

1 2 3 4 5 6 7 8

A

B

C

D

E

F

A

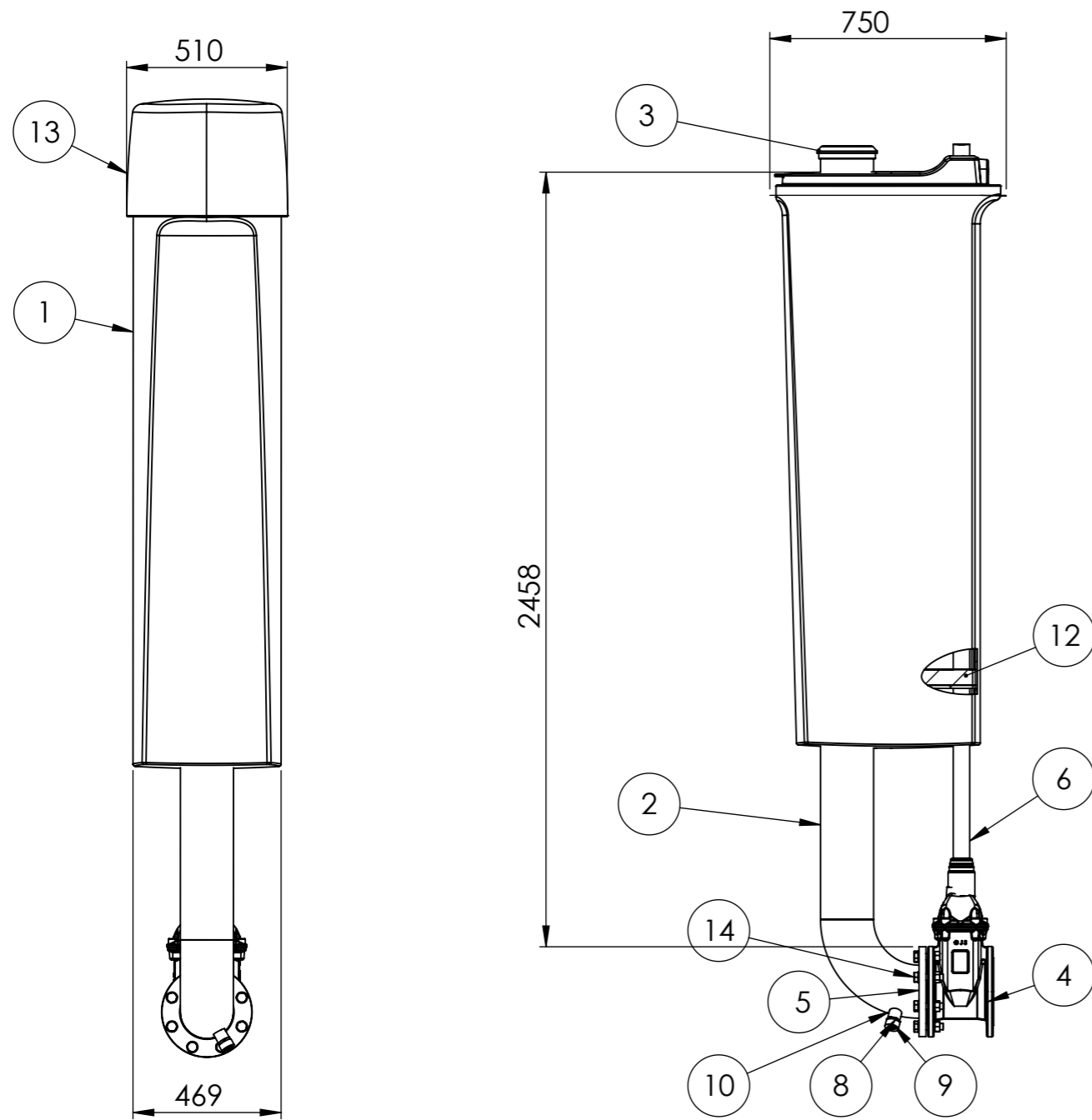
B

C

D

E

F



ITEM NO.	PART NUMBER	DESCRIPTION	QTY.
1	H07092	PE MUOVIRUNKO	1
2	H07084	PUTKISTO 168,3X2 1.4307	1
3	H07085	LIITIN RST 6"/168,3	1
4	H07064	LAIPPAVENTTIILI AVK DN150	1
5		IRTOLAIPPA DN150 PN16 SINK	1
6	H07068	KARANJATKO DN65-150	1
7	H07067	LAIPPATIIVISTE DN150	1
8	H07070	AUT.TYHJENNYSVENTTIILI	1
9	209990020	TYHJENNYSVENT. SUOJA 45-22x20mm	1
10	1201406	MUHVI 1" 1.4404	1
11	209990090	RST VERKKO, 1x1 Ø1.0	1
12	H07081	MUOVIRUNGON ERISTE XPS	10
13	H07093	150 PALOP.KANSI AIHIO	1
14		KUUSIORUUVI DIN934 M20 KS	8
15		KUUSIOMUTTERI DIN934 M20	8
16		ALUSLEVY DIN125 M20	8

Material: <b>RST</b>	Name: <b>PALOVESIASSEMA DN150 391456</b>	Drawn by: <b>JNi</b>	Drawn Date: <b>20.8.2017</b>
		Checked/Approved by:	Checked/Approved Date:
Drawing Scale: <b>1:20</b>	Legal Owner:	Finish:	
Weight: <b>Kg</b>	<b>PIPELIFE</b>	Metric: mm 	Sheet: 1 of 1
			Sheet Size: <b>A3</b>

1 2 3 4 5 6 7 8