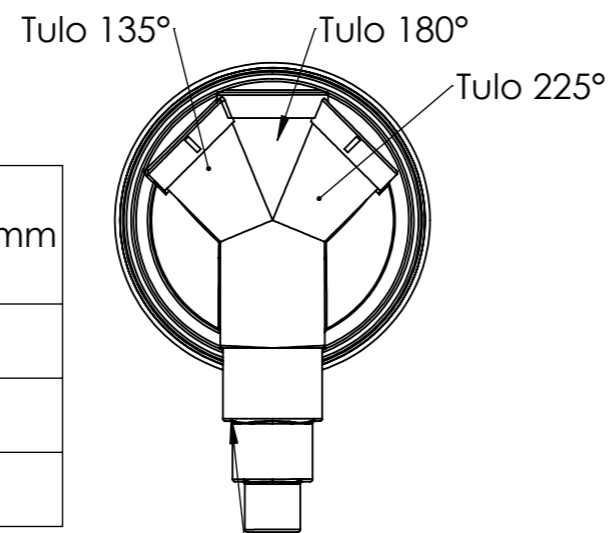


Muhvit hitsataan kaivoon tilaus taulukon mukaisesti:

Muhvin koko/ tulo	Ø110 mm	Ø160 mm	Ø200 mm
135°			
180°			
225°			



Material: <b>PE</b>	Name: <b>VTK 560/500</b>	Drawn by: IMo	Drawn Date: 4.4.2017
		Checked/Approved by:	Checked/Approved Date:
Drawing Scale: <b>1:15</b>	Legal Owner:	Finish:	
Weight:		Metric: mm	Sheet: 1 of 1
		Sheet Size: <b>A3</b>	